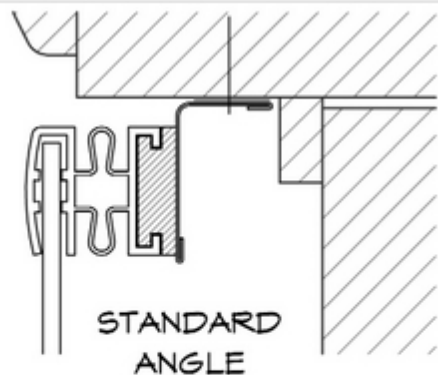
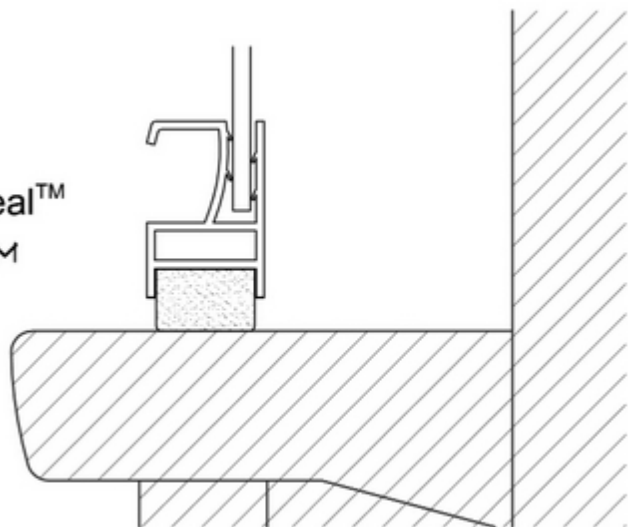


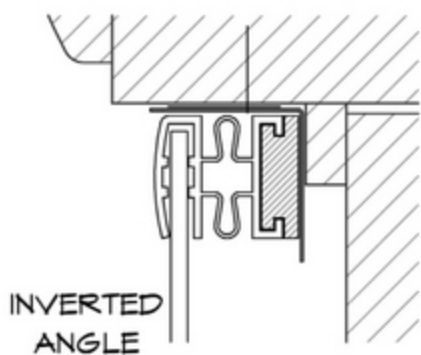
Climate Seal™
HEAD & JAMB
MOULDING



**STANDARD
ANGLE**

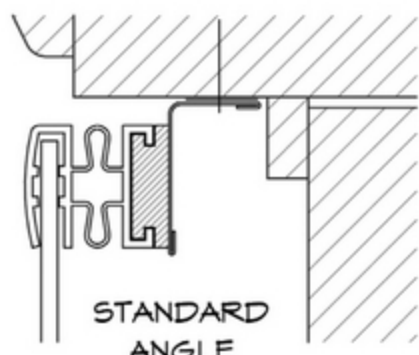
Climate Seal™
SILL TRIM





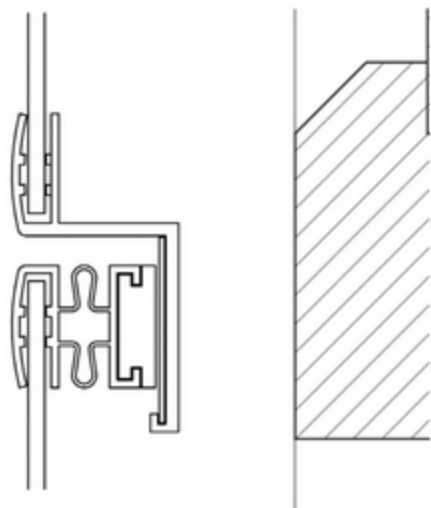
INVERTED
ANGLE

Climate Seal™
HEAD & JAMB
MOULDING

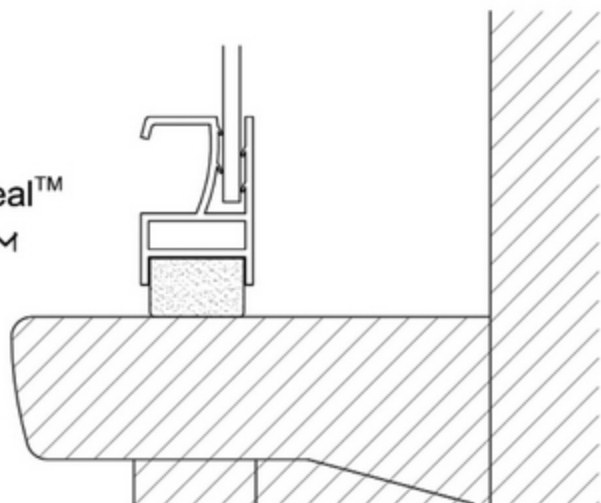


STANDARD
ANGLE

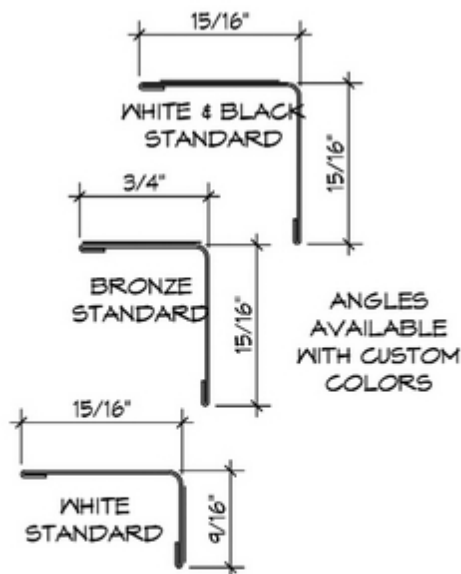
Climate Seal™
INTEGRAL MUNTIN
(AT MEETING RAIL)



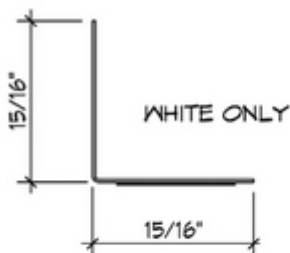
Climate Seal™
SILL TRIM



TWO PANEL SYSTEM



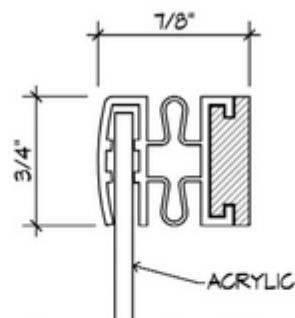
STANDARD MOUNTING ANGLES



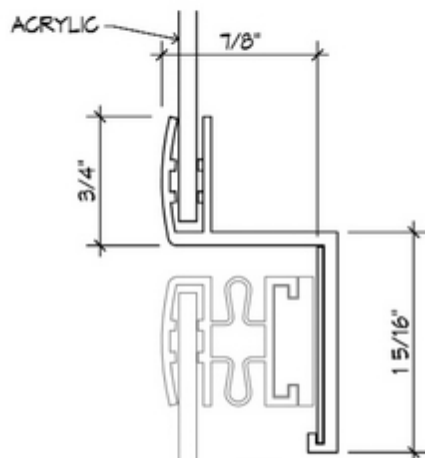
INSIDE MOUNTING ANGLE MOUNTING ANGLES



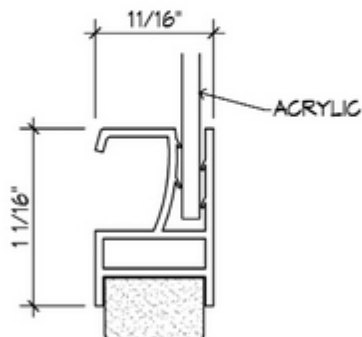
METAL TAPE



Climate Seal™ HEAD & JAMB MOULDING



Climate Seal™ INTEGRAL MUNTIN



Climate Seal™ SILL TRIM